

Addressable Sounder Beacon

Model - AA104SBS

Airlight Addressable Speaker with Beacon

The Airlight Addressable Sounder Beacon is a specialized device designed for visual alarm systems, prioritizing fire safety compliance and user-friendly operation.

Key features of the Airlight Addressable Sounder Beacon:

1. Compliance: Designed to meet NBC 2016 part 4, Clause 4.9-D regulations for visual alarm systems.

2. Dual Tone Sound : Generates a distinct and attention-grabbing dual-tone sound for alert notifications. The carefully chosen tone provides a soft alert that avoids creating panic among occupants.

3. Addressable capability:

The addressable feature of Airlight's Sounder beacon system enables targeted activation of alarm sounder beacons. In the event of a fire detection, the system can automatically trigger voice alarms accompanied by light beacons. This comprehensive capability ensures precise communication and notification in desired zones or locations within the building, facilitating effective dissemination of critical information during emergency situations.

4. Undisturbed Operation: When connected in parallel, only intended sounder beacon is activated for audio alarm, ensuring the rest remain undisturbed.



5. Loop-Powered Operation: Operates on a loop-powered, two-wire system, enabling device monitoring, signaling, and power transmission through the same wires.

6. Low Current Operation: Operates on very low current, ensuring energy efficiency and minimizing power consumption.

7. Device Integrity Monitoring : Incorporates device integrity health and connectivity fault monitoring for enhanced system reliability.

Other Airlight standard features includes soft addressing, electrical supervision and transient voltage protection 2.4KV

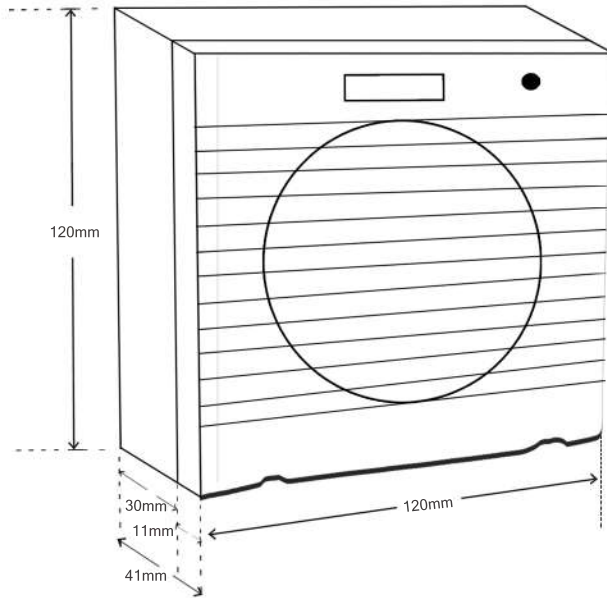
The Airlight Addressable Sounder Beacon is an efficient solution for visual alarm systems, providing reliable and distinctive dual-tone sound alerts while ensuring the undisturbed operation of other areas. It prioritizes fire safety compliance and offers ease of use for enhanced system reliability.

DATA SHEET

Addressable Sounder Beacon

Model - AA104SBS

sounder beacon



Electrical specifications

Operating voltage	18-24V DC
Quiescent current	200 μ A
Alarm current	50mA
Sound level	90 dB at 1m

General specifications

Operating temperature	-10°C to 55°C
Storage temperature	-10°C to 60°C
Humidity	0-95% RH (Non-condensing)
Colour	Red
Housing	ABS

Indications

Indicator	Red LED
Normal	LED blinks (during scan)
ON Fire Alarm activation	Flasher light flashes, speaker produces Dual tone sound
ON mute	Flasher light continues to flash till reset, speaker stops sound.