

Addressable Speaker With Beacon

Model - AA104SPBS

Airlight Addressable Speaker with Beacon

The Airlight Addressable Speaker with Beacon is a comprehensive and efficient solution designed for voice alarm and public address systems, prioritizing fire safety compliance and user-friendly operation. It stands out from others with its exclusive two-wire technology.

Key features of the Airlight Addressable Speaker with Beacon:

1. Compliance: Designed to meet NBC 2016 part 4, Clause 4.9 C and D regulations for voice alarm and public address systems.

2. Addressable Capability: Equipped with addressable technology, allowing for targeted speaker activation and control from the control panel. This feature enables efficient and timely distribution of fire warning messages to specific areas, enhancing the effectiveness of the voice alarm system. It delivers focused voice alarms and visual fire warnings using a combination of a speaker and LED light flasher.

3. Speaker Activation: When connected in parallel, only the intended speaker is activated for alarm messages, ensuring the rest remain undisturbed.

4. Flexible Activation: Supports both Zone call and all call activation options, providing flexibility in system control.

5. Loop-Powered Operation: Operates on a loop-powered, two-wire system, enabling device monitoring, audio signaling, and power transmission through the same wires.

6. Simplified Wiring: Eliminates the need for separate cables, making it easy to connect with call points and detectors wiring.

7. Device Integrity Monitoring : Incorporates device integrity health and connectivity fault monitoring for enhanced system reliability.

10. Addressable Control and Monitoring: Allows for targeted control and monitoring of individual devices.

Other Airlight standard features includes soft addressing, electrical supervision and transient voltage protection 2.4KV



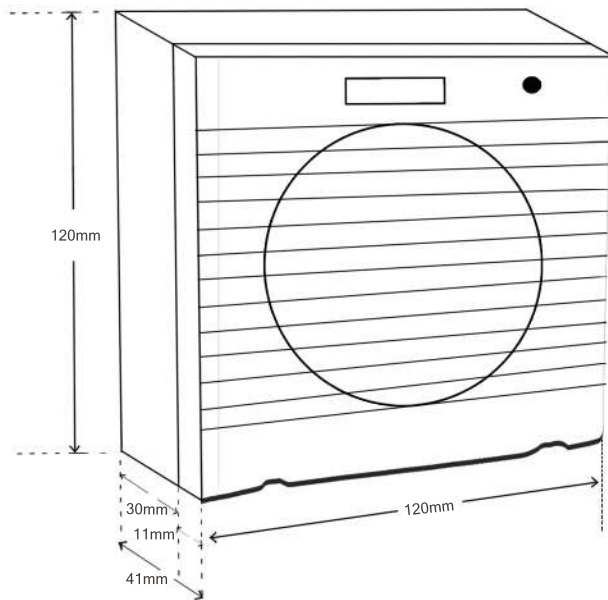
DATA SHEET

Addressable Speaker With Beacon

Model - AA104SPBS

The Airlight Addressable Speaker with Beacon is a comprehensive and efficient solution for voice alarm and public address systems, ensuring fire safety compliance and ease of use. Its addressable capability, targeted activation, and a range of other features make it an effective and reliable choice for achieving effective voice alarm communication and visual fire warnings.

sounder beacon



Electrical specifications

Operating voltage	18-24V DC
Quiescent current	200 μ A
Watts	5w
Voice Current	100mA (max)

General specifications

Operating temperature	-10°C to 55°C
Storage temperature	-10°C to 60°C
Humidity	0-95% RH (Non-condensing)
Colour	Red
Housing	ABS
Sound output SPL@(1KHz 1w/1m)	90db

Indications

Indicator	Red LED
Normal	Red LED blinks (during scan)
ON Fire Alarm activation	Red LED Glow (steady) Flasher light flashes Speaker produces voice alarm
ON mute	Flasher light continues to flash till reset Speaker stops voice alarm
On PA Mode/On Selection	Green LED turns into a steady glow, indicating that the speaker is ON condition. Speaker delivers voice generated from control panel mic or from panel audio file.