

Standalone Smoke Detector

Model No - AS105SDS



Aesthetically designed that blends with environment

Insect-resistant screening

Easy to maintain/service

Built-in sounder

Dual bi-color LED indication for 360° viewing angle

Overview:

This unit designed to provide automatic beep sound, when it sense the presence of smoke. It automatically stops the beep sound, when it sense the clean air in its surveillance. This unit is battery powered and are ideal for small indoor applications where the scope of audibility is within the room and the neighboring rooms.

Specification

Electrical Specifications

Operating voltage	3 V DC
Quiescent current	3 μ A
Alarm current	300mA
Battery Type	2x1.5V AA Size Battery

Indications

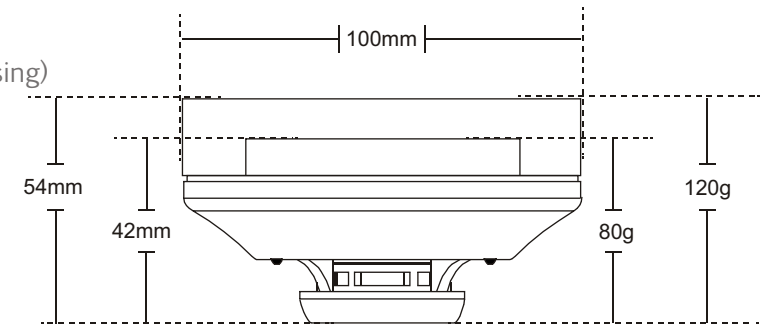
Normal	Green LED (Blinks every 8 sec)
Alarm	Red LED (Glows steady)

General Specifications

Smoke sensitivity	1+/- 0.5 %obs/foot
Operating temperature	0°C to 49°C
Storage temperature	5°C to 40°C
Sound level	80dB at 1m
Humidity	0-95% RH (Non-condensing)
Lifetime of Battery	18 Months
Color	White
Housing	Polycarbonate

Mechanical Specifications

Dimensions(DiaxH)	Without Base 100x42mm
	With Base 100X54mm
Weight	Without Base 80g
	With Base 120g



Standalone
Multisensor
Model No - AS105MDS



Aesthetically designed that blends with environment

Built-in sounder

Insect-resistant screening

Easy to maintain/service

Dual bi-color LED indication for 360° viewing angle

Overview:

This unit designed to provide automatic beep sound, when it sense the presence of smoke and heat. It automatically stops the beep sound, when it sense the clean air in its surveillance. This unit is battery powered and are ideal for small indoor applications where the scope of audibility is within the room and the neighboring rooms.

Specification

Electrical Specifications

Operating voltage	3 V DC
Quiescent current	3 μ A
Alarm current	300mA
Battery Type	2x1.5V AA Size Battery

Indications

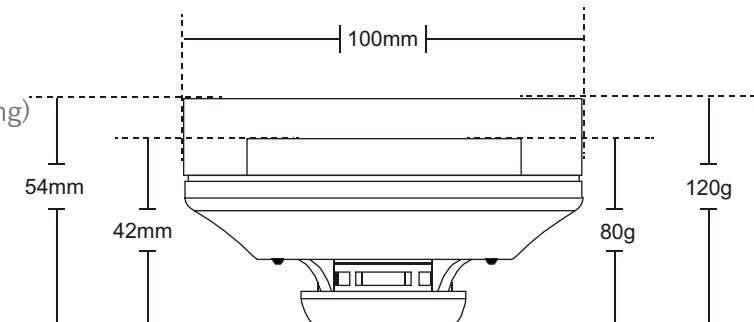
Normal	Green LED (Blinks every 8 sec)
Alarm	Red LED (Glows steady)

General Specifications

Smoke sensitivity	1+/- 0.5 %obs/foot
Thermal sensitivity	57°C
Operating temperature	0°C to 49°C
Storage temperature	5°C to 40°C
Sound level	80dB at 1m
Humidity	0-95% RH (Non-condensing)
Lifetime of Battery	18 Months
Color	White
Housing	Polycarbonate

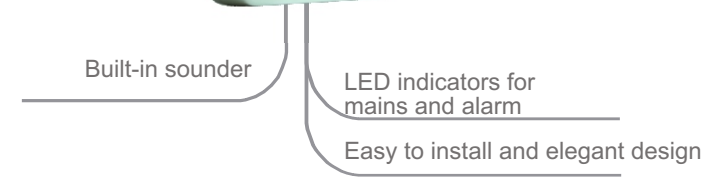
Mechanical Specifications

Dimensions(DiaxH)	Without Base 100x42mm
	With Base 100X54mm
Weight	Without Base 80g
	With Base 120g



Standalone Gas Leak Detector

Model No - AS105LPG



Overview:

This Standalone Gas Leak Detector is designed to detect and alert the leak of flammable gases. These detectors employ a built-in sounder for warning the occupants. This aesthetically designed unit accentuates and upgrades safety standards of your home by preventing accidents due to leakage of LPG.

Specification

Electrical Specifications

Power supply	220V 10% AC, 50Hz
Power consumption	1 W
Sensitivity	Butane LEL:1.8vd%/HEL(UEL):8.4vd% Propane LEL:2.1vd%/HEL(UEL):8.4vd% Methane LEL:5.0vd%/HEL(UEL):15vd%
Detection distance	LPG-30cm above the ground on the wall Coal gas, Natural gas-30cm below ceiling
Indications	
Warmup mode	Flashing Green LED
Standby mode	Blinking Green LED(During Scan)
Alarm mode	Red LED(Glows Steady)
Output	Relay Contact NO/NC

General Specifications

Sound level	80 db at 1m
Operating temperature	0°C to 49°C
Storage temperature	5°C to 40°C
Humidity	0-95% RH (Non-condensing)
Color	White
Housing	Polycarbonate

Mechanical Specifications

Dimensions(HxWxD)	130x75X40mm
Weight	220g

