

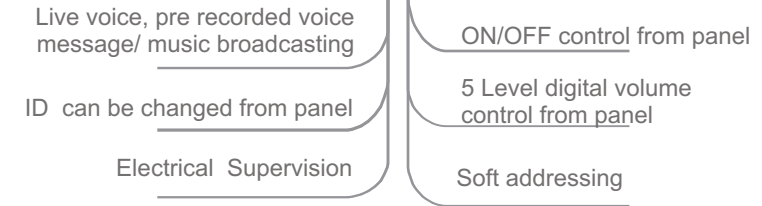
Addressable Digital Speaker

Model No - ADS103



Overview:

This unit is designed to use for announcement purpose/play music etc. It consists of Addressable digital speaker to play voice broadcast called from the control panel. The unique ID allows the user to select a particular speaker or group of speakers or all speakers to ON/OFF and volume control according to the need.



Specification

Electrical Specifications

Operating voltage	24V DC
Quiescent current	20mA
Alarm Tone current	400mA(max)
Alarm Voice current	300mA(max)
Sound level	90 dB at 10 feet

Indications

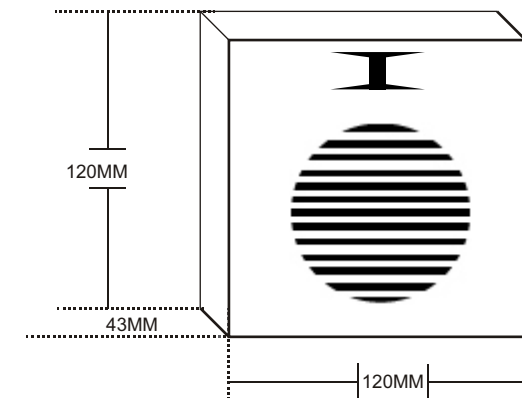
Normal Indicator	Green LED (Glows during PA enable)
-------------------------	---------------------------------------

General Specifications

Operating temperature	0°C to 49°C
Storage temperature	5°C to 40°C
Humidity	0-95% RH (Non-condensing)
Color	Red
Compatibility	ALPA2XV1 Protocol
Housing	ABS

Mechanical Specifications

Dimensions(HxWxD)	120x120x43mm	
Weight	Without Backbox 178g	With Backbox 242g



Addressable Two Way Digital Speaker

Model No - AD2S103

Overview:

This unit is designed to use for voice notification and visual(LED Flash) notification. It consists of Addressable digital speaker to play voice broadcast called from the control panel and a microphone to enable direct communication with the panel. During emergency, the control panel automatically activates the relevant speaker and allows to play pre-recorded voice notification. The unique ID allows the user to select a particular speaker or group of speakers or all speakers to ON/OFF and volume control according to the need.

This unit can also be used for announcement purpose/play music etc.

Specification

Electrical Specifications

Operating voltage	24V DC
Quiescent current	20mA
Alarm Tone current	400mA(max)
Alarm Voice current	300mA(max)
Sound level	90 dB at 10 feet

Indications

Normal Indicator	Green LED (Glowing during PA enable)
Alarm Indicator	White LED (Flashes)

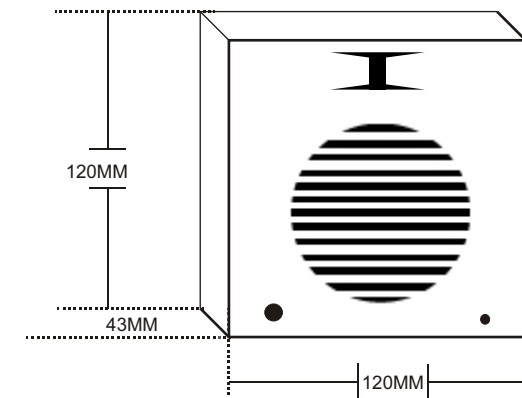
General Specifications

Operating temperature	0°C to 49°C
Storage temperature	5°C to 40°C
Humidity	0-95% RH (Non-condensing)
Color	Red
Compatibility	ALPA2XV1 Protocol
Housing	ABS



Mechanical Specifications

Dimensions(HxW)	120x120x43mm
Weight	
Without Backbox	178g
With Backbox	242g



Digital Addressable Public Address System Control Panel-1 Channel

Model No - AN101PAVA



Overview:

This Digital Addressable Public address System Control Panel is designed to operate voice system. Voice system includes public address, music, and automated voice message player. It transmits and process digital voice signal to field digital speakers and also performs two-way communications. The connected devices can be individually identified and controlled from the panel. This unit has built in battery charger and provision for SMF battery.

- Soft Addressing
- Individual / group speaker control.
- 3 way voice input
- Built-in Voice alarm with pre-recorded messages
- Corrosion protection

Specification

Electrical Specifications

Primary Power	110V/220V±10% AC, 60/50Hz
Standby Power	24V DC (12V, 7Ah SLA Battery, 2Nos)
Charging Voltage	27 ± 1V
Charging Current	1A (max)
Operating Temperature	0° C to 49° C
No Of Zones	32(Max)
No of Channel	1
Addressable speaker /mic	12/loop

Fuses

Supply Fuse	3 A Resettable fuse
Battery Fuse	3 A Resettable fuse
Display Resolution	800X480 Pixels
Display Size	7"
Finish	
Enclosure Dimensions (HxWxD)	460x390X130 mm
Housing Material	16 Gauge Cold Rolled sheet
Back Box	Black Matte
Front Door	Texture Red
Compatibility	AU101X/ AUAA2X / ALPA2XV1 / ALAW2XV1 Protocol

Digital Addressable Public Address System Control Panel-5 Channel

Model No - AN105PAVA



Overview:

This Digital Addressable Public address System Control Panel is designed to operate voice system. Voice system includes public address, music, and automated voice message player. It transmits and process digital voice signal to field digital speakers and also performs two-way communications. The connected devices can be individually identified and controlled from the panel. This unit has built in battery charger and provision for SMF battery.

- Soft Addressing
- Individual / group speaker control.
- 3 way voice input
- Built-in Voice alarm with pre-recorded messages
- Corrosion protection

Specification

Electrical Specifications

Primary Power	110V/220V±10% AC, 60/50Hz
Standby Power	24V DC (12V, 7Ah SLA Battery,2Nos)
Charging Voltage	27 ± 1V
Charging Current	1A (max)
Operating Temperature	0° C to 49° C
No Of Zones	32(Max)
No of Channel	5
Addressable speaker /mic	12/loop

Fuses

Supply Fuse	3 A Resettable fuse
Battery Fuse	3 A Resettable fuse
Display Resolution	800X480 Pixels
Display Size	7"
Finish	
Enclosure Dimensions (HxWxD)	460x390X130 mm
Housing Material	16 Gauge Cold Rolled sheet
Back Box	Black Matte
Front Door	Texture Red
Compatibility	AU101X/ AUAA2X / ALPA2XV1 / ALAW2XV1 Protocol

Digital Addressable Public Address System Control Panel-9 Channel

Model No - AN109PAVA



Overview:

This Digital Addressable Public address System Control Panel is designed to operate voice system. Voice system includes public address, music, and automated voice message player. It transmits and process digital voice signal to field digital speakers and also performs two-way communications. The connected devices can be individually identified and controlled from the panel. This unit has built in battery charger and provision for SMF battery.

- Soft Addressing
- Individual / group speaker control.
- 3 way voice input
- Built-in Voice alarm with pre-recorded messages
- Corrosion protection

Specification

Electrical Specifications

Primary Power	110V/220V±10% AC, 60/50Hz
Standby Power	24V DC (12V, 7Ah SLA Battery,2Nos)
Charging Voltage	27 ± 1V
Charging Current	1A (max)
Operating Temperature	0° C to 49° C
No Of Zones	32(Max)
No of Channel	9
Addressable speaker /mic	12/loop

Fuses

Supply Fuse	3 A Resettable fuse
Battery Fuse	3 A Resettable fuse
Display Resolution	800X480 Pixels
Display Size	7"
Finish	
Enclosure Dimensions (HxWxD)	460x390X130 mm
Housing Material	16 Gauge Cold Rolled sheet
Back Box	Black Matte
Front Door	Texture Red
Compatibility	AU101X/ AUAA2X / ALPA2XV1 / ALAW2XV1 Protocol

Overview:

This addressable unit is designed to drive a speaker for an announcement/play music etc. The unique ID allows the user to select a particular speaker or a group of speakers or all speakers to ON/OFF and volume control according to the need.

Specification

Electrical Specifications

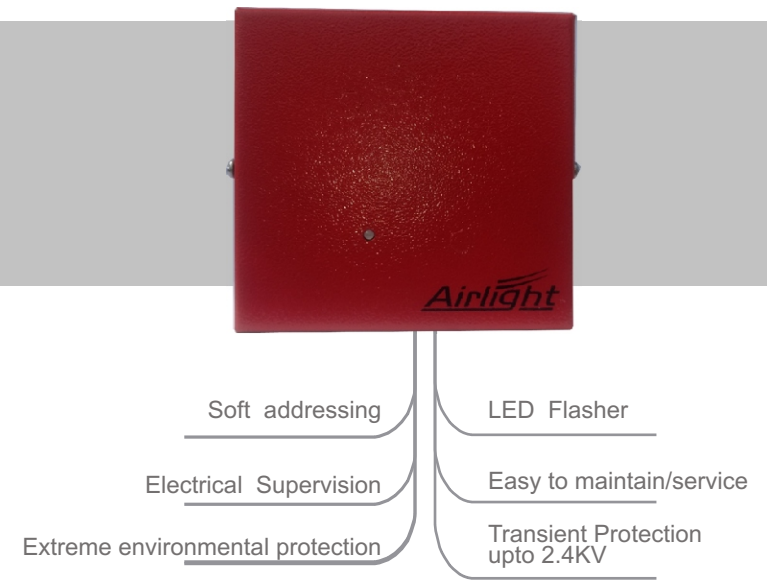
Operating voltage	17-27V DC
Quiescent current	5mA
Alarm Tone current	400mA(max)
Alarm Voice current	300mA(max)
Sound level	90 dB at 10 feet
Speaker With Driver Capacity	12W
Altitude	3000m(above MSL)

General Specifications

Operating temperature	-10°C to 55°C
Storage temperature	5°C to 40°C
Humidity	0-95% RH (Non-condensing)
Color	White
Compatibility	ALPA2XV1 Protocol

Complied with:

MIL-461E
 Tested & Certified by **NABL - INDIA**

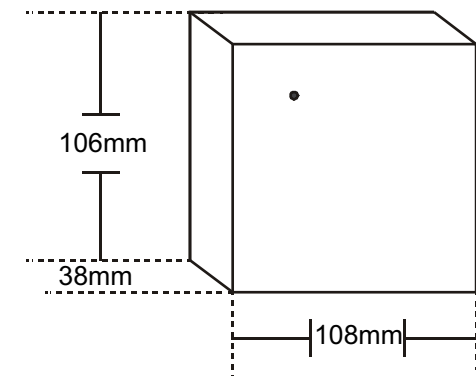


Mechanical Specifications

Dimensions(HxWxD) 106x108X38mm

Weight

Without Backbox 144g With Backbox 372g



Overview:

This addressable unit is designed to drive a speaker for an announcement/play music etc. The unique ID allows the user to select a particular speaker or a group of speakers or all speakers to ON/OFF and volume control according to the need.

Specification

Electrical Specifications

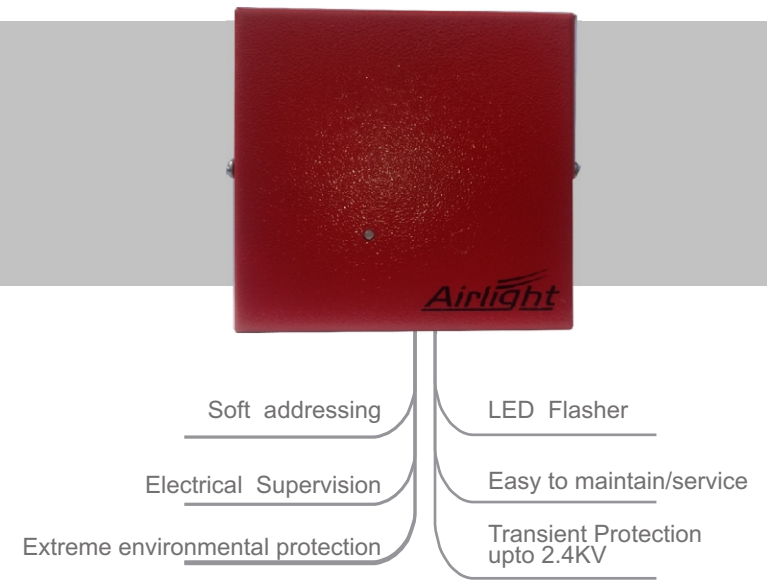
Operating voltage	17-27V DC
Quiescent current	5mA
Alarm Tone current	400mA(max)
Alarm Voice current	300mA(max)
Sound level	90 dB at 10 feet
Speaker With Driver Capacity	12W
Altitude	3000m(above MSL)

General Specifications

Operating temperature	-10°C to 55°C
Storage temperature	5°C to 40°C
Humidity	0-95% RH (Non-condensing)
Color	White
Compatibility	ALPA2XV1 Protocol

Complied with:

MIL-461E
 Tested & Certified by **NABL - INDIA**



Mechanical Specifications

Dimensions(HxWxD) 106x108X38mm

Weight

Without Backbox 144g With Backbox 372g

