

Control Unit for Fire Suppression System

Model No - AA104FSP



Overview:

This is IP based Fire Suppression system control panel. Controlling and monitoring is possible through LAN. Usually this unit is interfaced with IP based Fire Alarm panel for automatic Fire Suppression.

Manual release push button and abort switch can be directly connected for manual operation. This unit has built in battery charger and provision for SMF battery.

Specification

Primary Power	220V±10% AC, 50 Hz
Standby Power	24V DC (12V, 7/17Ah SMF Battery,2Nos)
Charging Voltage	28 ± 1V
Charging Current	1A (max)
Operating Temperature	0° C to 49° C
Humidity	0-95% RH (Non-condensing)
Fuses	
Supply Fuse	3 A Resettable fuse
Battery Fuse	3 A Resettable fuse

Relay Circuits

Hooter Relay	2A @ 24V DC
Solenoid Relay	2A @ 24V DC

Finish

Enclosure Dimensions (HxWxD)	620X560X170 mm
Housing Material	16 Gauge Cold Rolled sheet
Back Box	Black Matte
Front Door	Texture Red



Overview:

Manual Inhibit Push button is used to momentarily interrupt the release circuit signal when the control unit is in the alarm condition. The device consists of a stainless steel faceplate and a modular switch assembly.

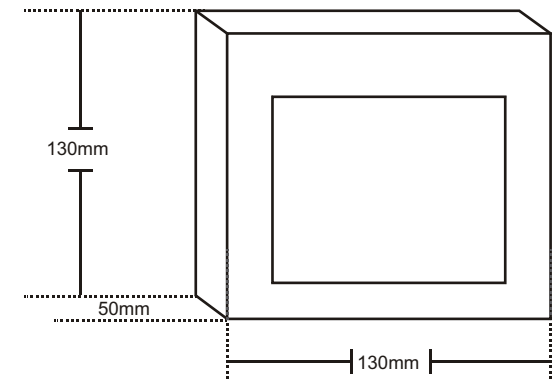
Specification

General Specifications

Operating temperature	-10°C to 55°C
Humidity	0-95% RH (Non-condensing)
Color	Red
Compatibility	AUAA2X Protocol

Mechanical Specifications

Dimensions(HxW)	130x130x50mm
------------------------	--------------





Overview:

Manual Release Push button is used to activate the cylinder valve, which in turn opens the extinguishing agent container to release. This device consists of a stainless steel faceplate and a modular switch assembly.

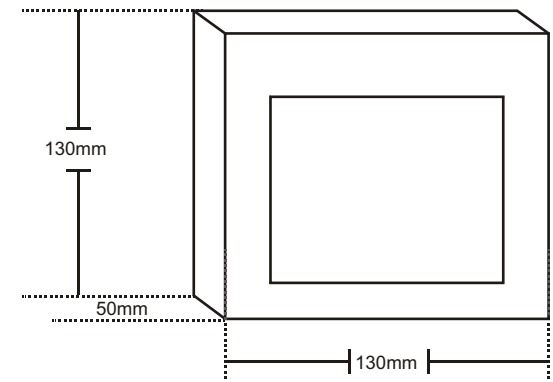
Specification

General Specifications

Operating temperature	-10°C to 55°C
Humidity	0-95% RH (Non-condensing)
Color	Red
Compatibility	AUAA2X Protocol

Mechanical Specifications

Dimensions(HxW)	130x130x50mm
------------------------	--------------



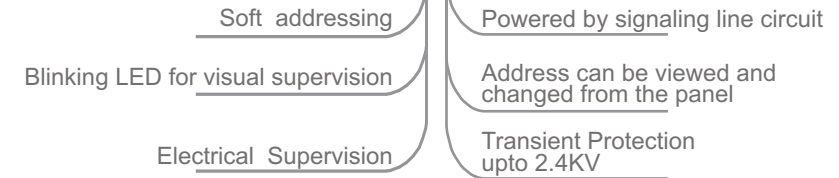
Addressable Intelligent Single Output Module

Model No - AU101SOM



Overview:

This Addressable single output module is an device that utilizes form C dry contact relay circuit for controlling external appliances on the detection of fire emergency by the devices in the network. The output responses of detection system can be configured to this unit.



Specification

Electrical Specifications

Operating voltage	17-24V DC
Quiescent current	600 μ A(max)
Alarm current	18mA(max)
Relay Contact Rating	2A @ 24V DC

Indications

Normal	Green LED (Blinks during scan)
Alarm	Red LED (Glows steady)

General Specifications

Operating temperature	0°C to 49°C
Storage temperature	5°C to 40°C
Humidity	0-95% RH (Non-condensing)
Color	White/Red(RAL9016)
Compatibility	AU101X Protocol
Housing	Sheet metal Powder coated

Complied with:

UL 864
EN 54-Part 18

Mechanical Specifications

Dimensions(HxWxD)	106x108x38mm
Weight	Without Backbox 144g With Backbox 372g

