

# Wireless Addressable Signal Repeater Unit

Model No - AW104STU

## Overview:

This device is engineered to extend the range of remote wireless devices whose signal is not of enough strength to communicate with the control panel over a certain range of distance. It uses radio frequency for wireless communication with carrier frequency of 433.92 Mhz.

## Specification

### Electrical Specifications

<b>Operating voltage</b>	24V DC
<b>Primary Supply</b>	220V±10%AC
<b>Secondary Supply</b>	3.7V DC,1 (500mAh Li-ion Battery)
<b>Standby Current</b>	8 mA
<b>Signal Transmission Current</b>	7.5 mA
<b>Carrier frequency</b>	433.92MHz

### General Specifications

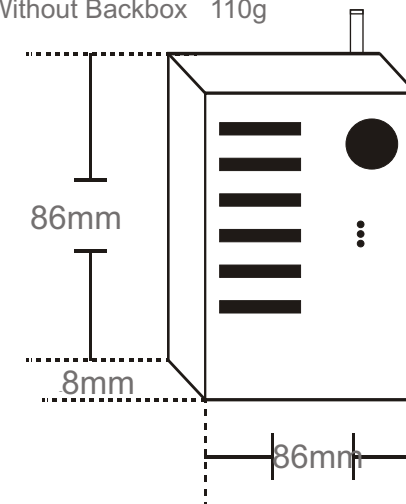
<b>Operating temperature</b>	0°C to 49°C
<b>Storage temperature</b>	5°C to 40°C
<b>Humidity</b>	0-95% RH (Non-condensing)
<b>Color</b>	White
<b>Compatibility</b>	ALAW2XV1 Protocol
<b>Housing</b>	Polycarbonate

### Mechanical Specifications

**Dimensions(HxWXD)** 86x86X8mm

### Weight

Without Backbox 110g



- Electronic addressing
- Remote silence facility
- Extends the range of remote device
- Wire-free operation
- Built-in battery and charger
- Easy to install, elegant design